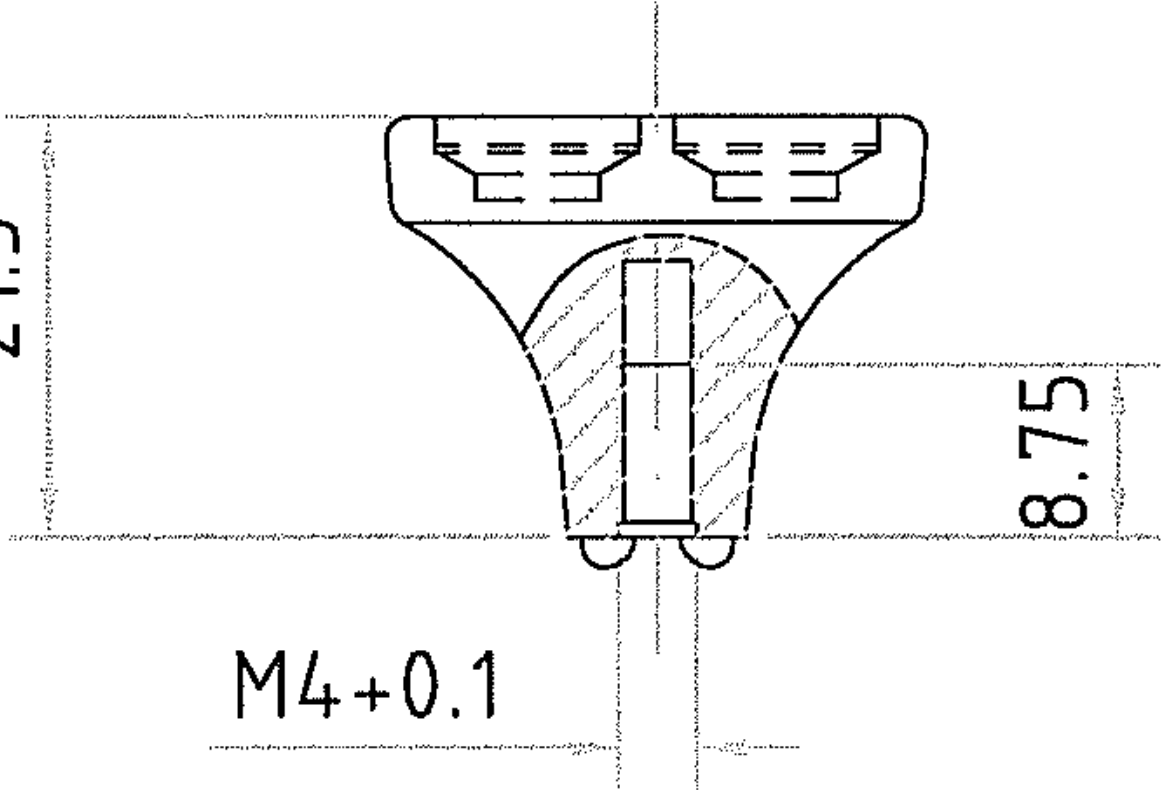
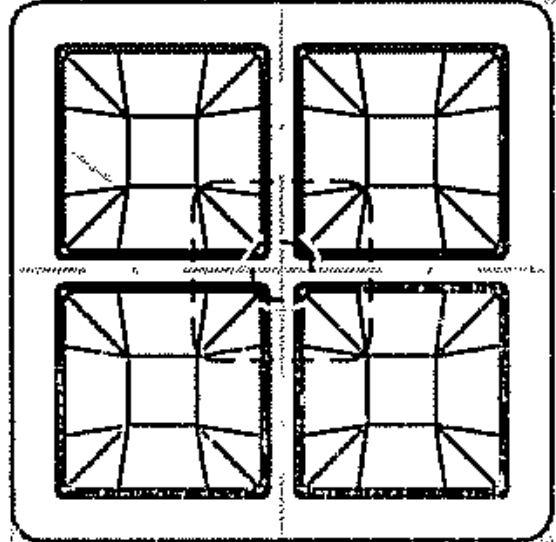


21.3



8.75

M4+0.1



27.31

27.32